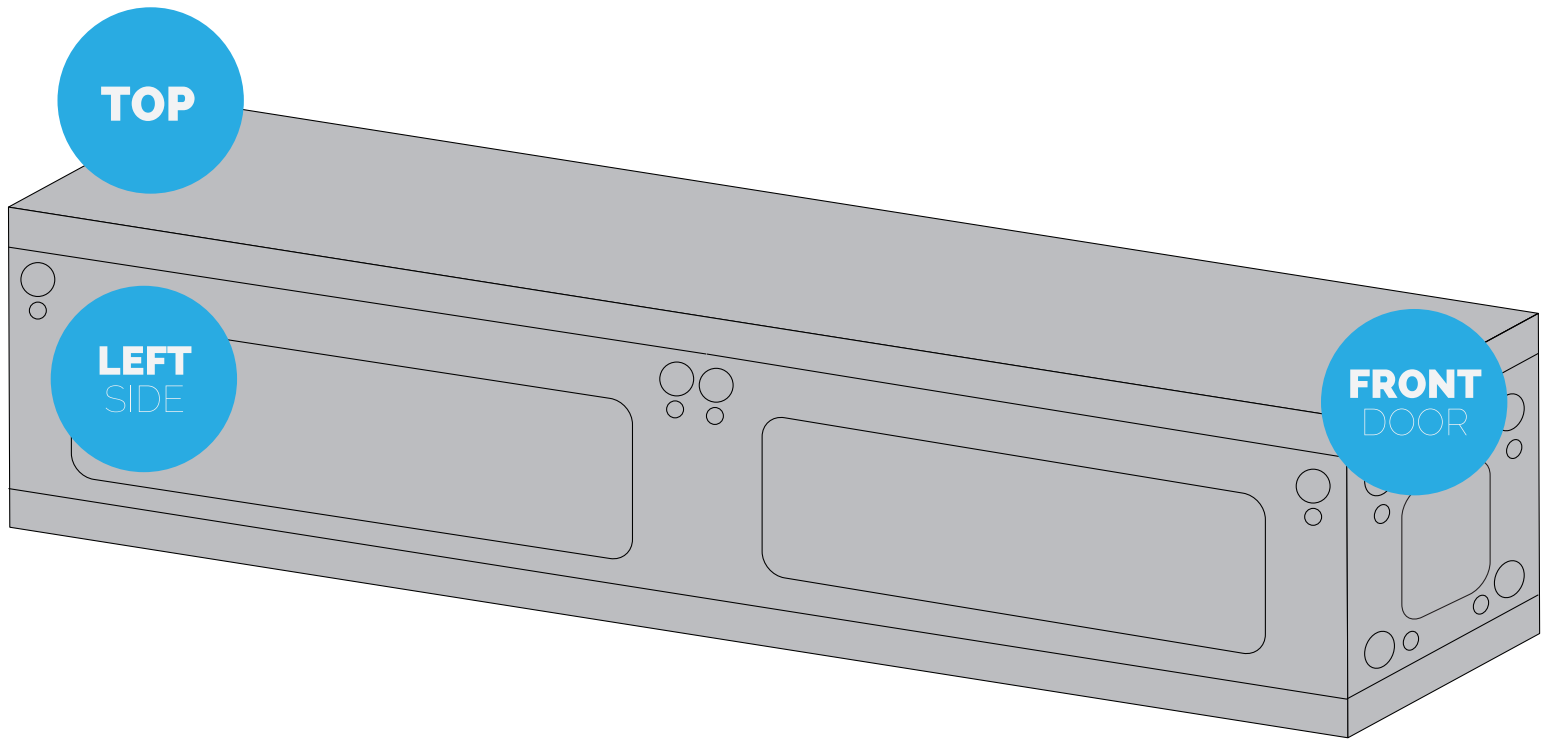




**OCR**  
OPTIMUM CLIMATE ROOM

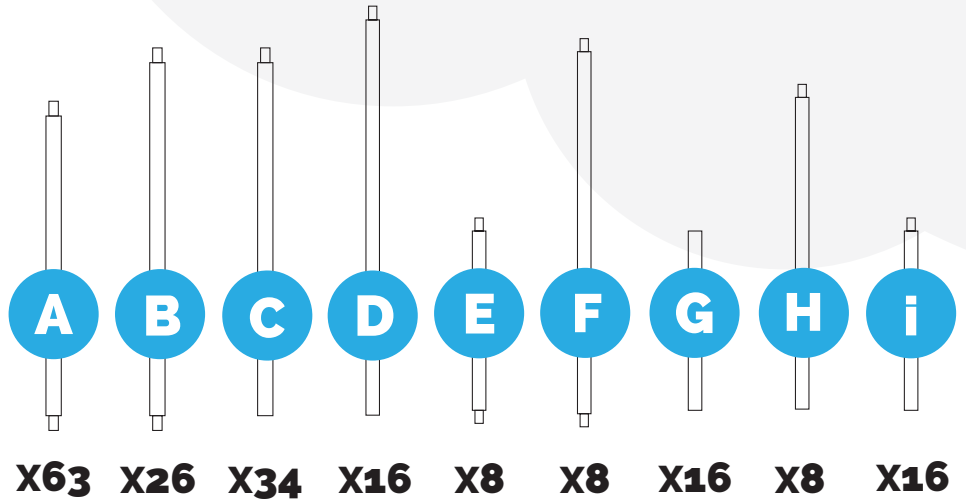
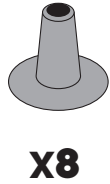
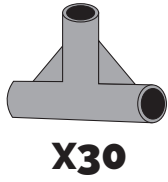
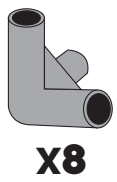


## ASSEMBLY INSTRUCTIONS

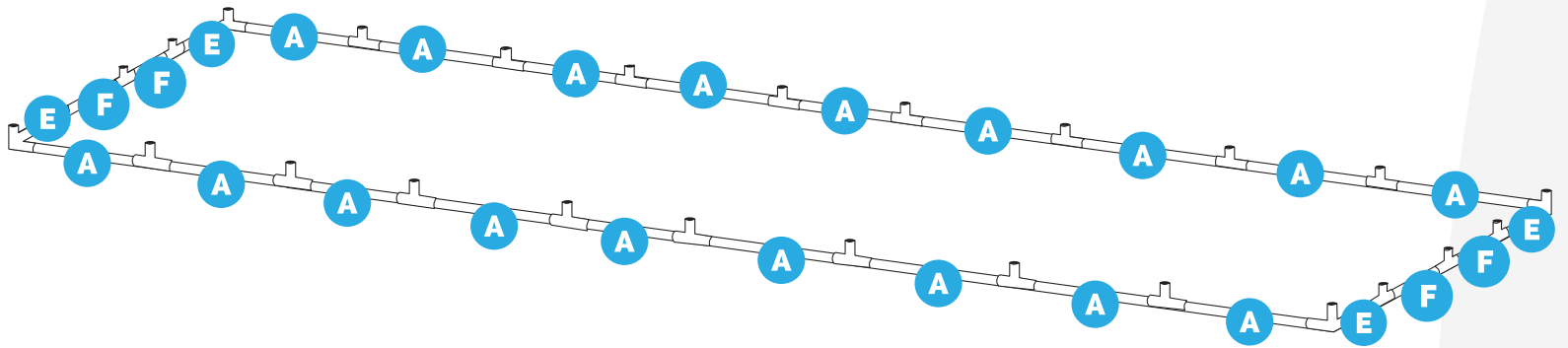
**OCR 9000**  
**XXL SERIES**

[WWW.OCR-CLIMATEROOMS.COM](http://WWW.OCR-CLIMATEROOMS.COM)

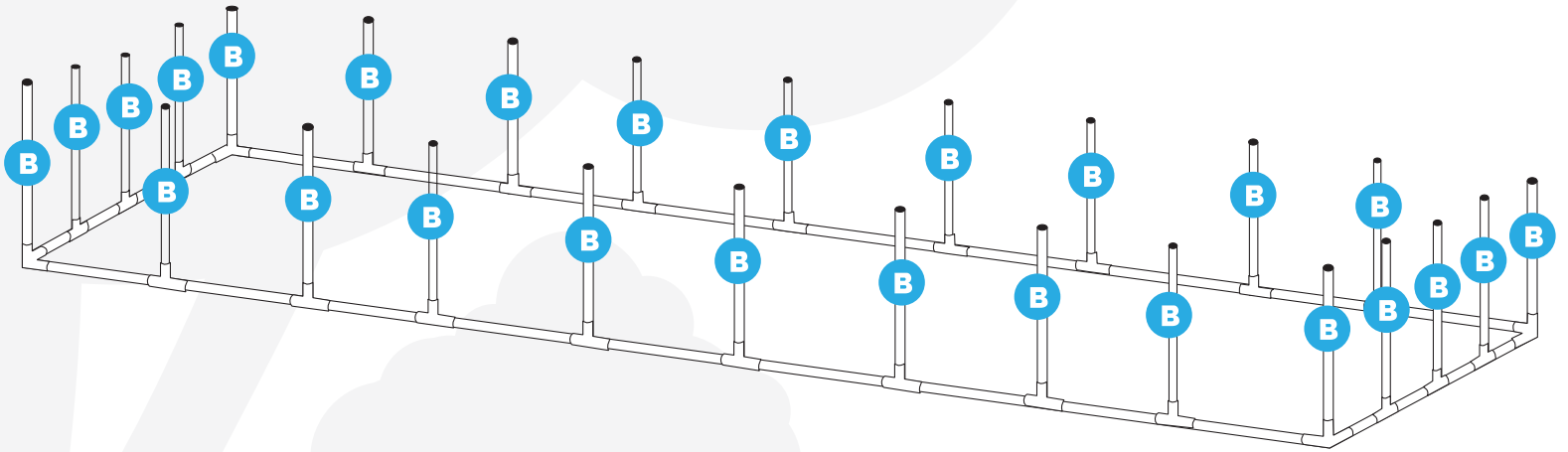
STEP 1



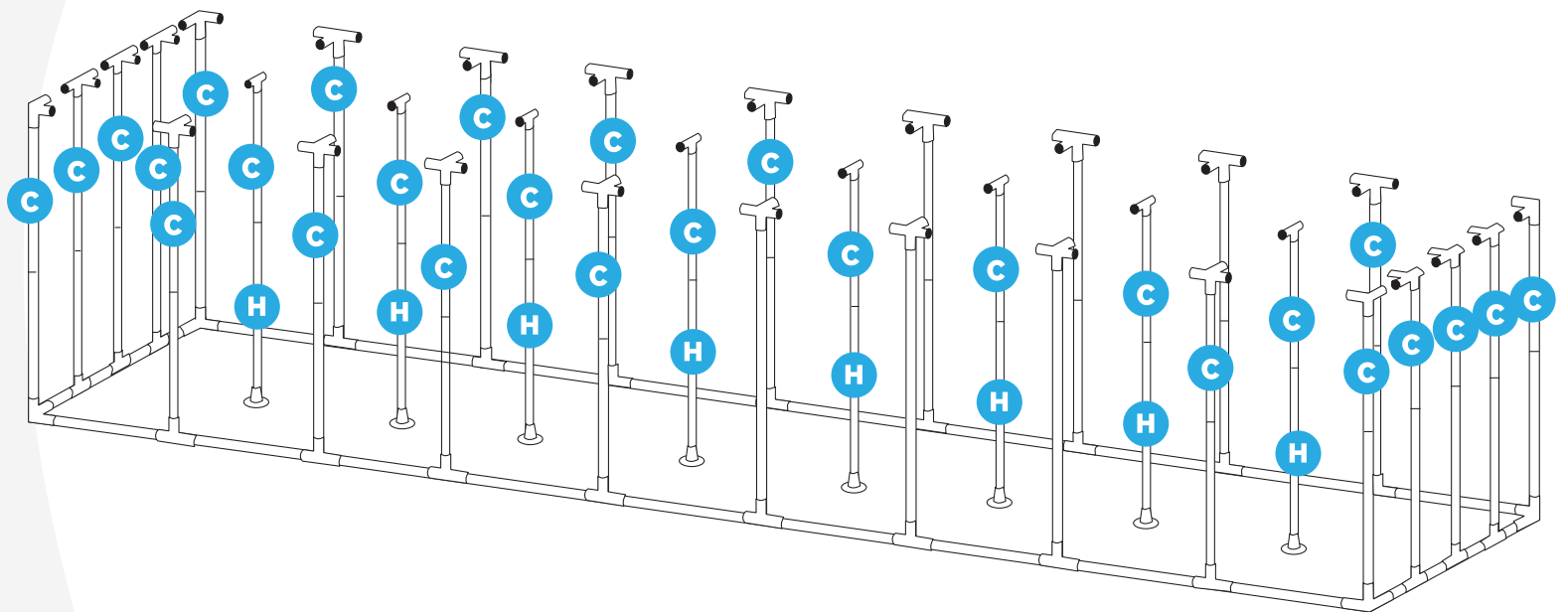
STEP 2



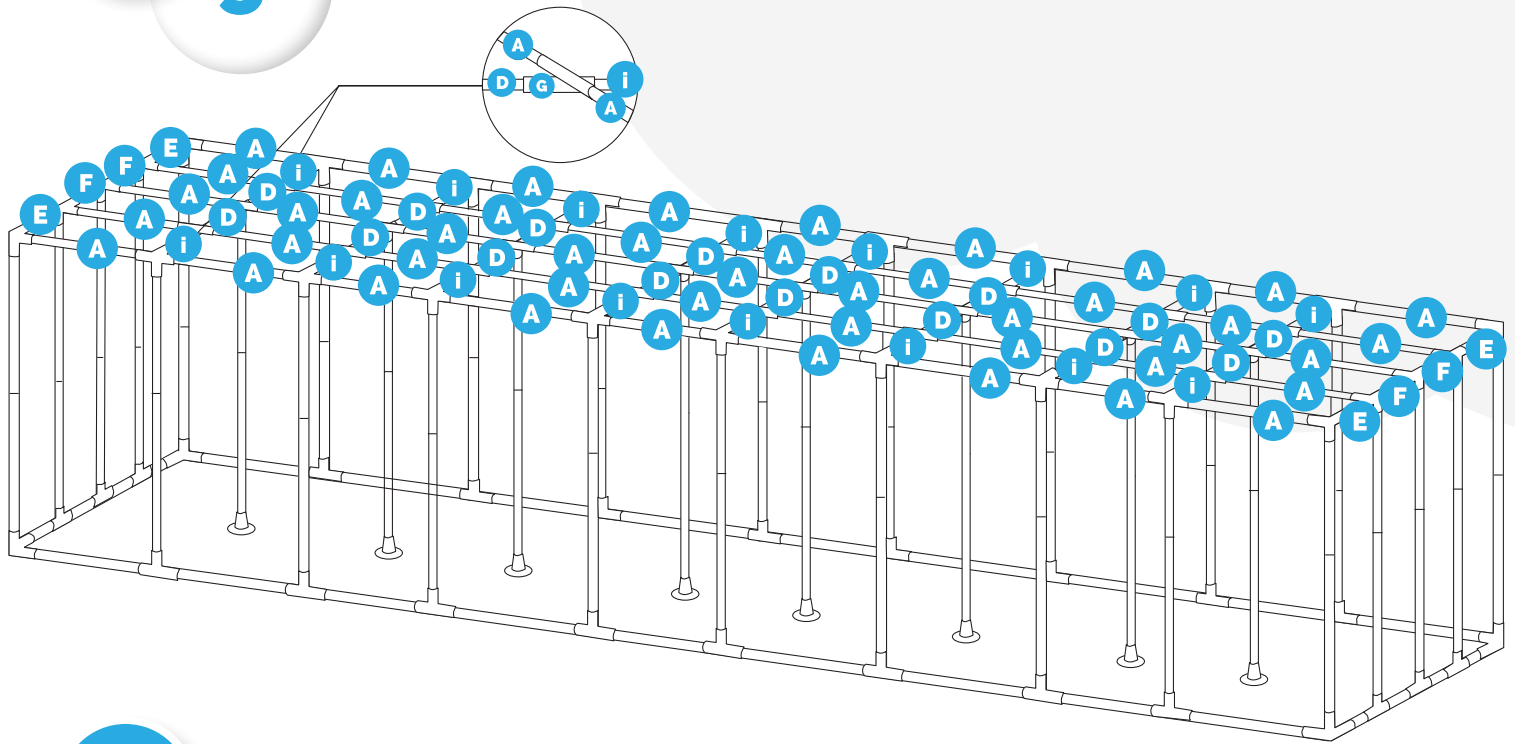
STEP 3



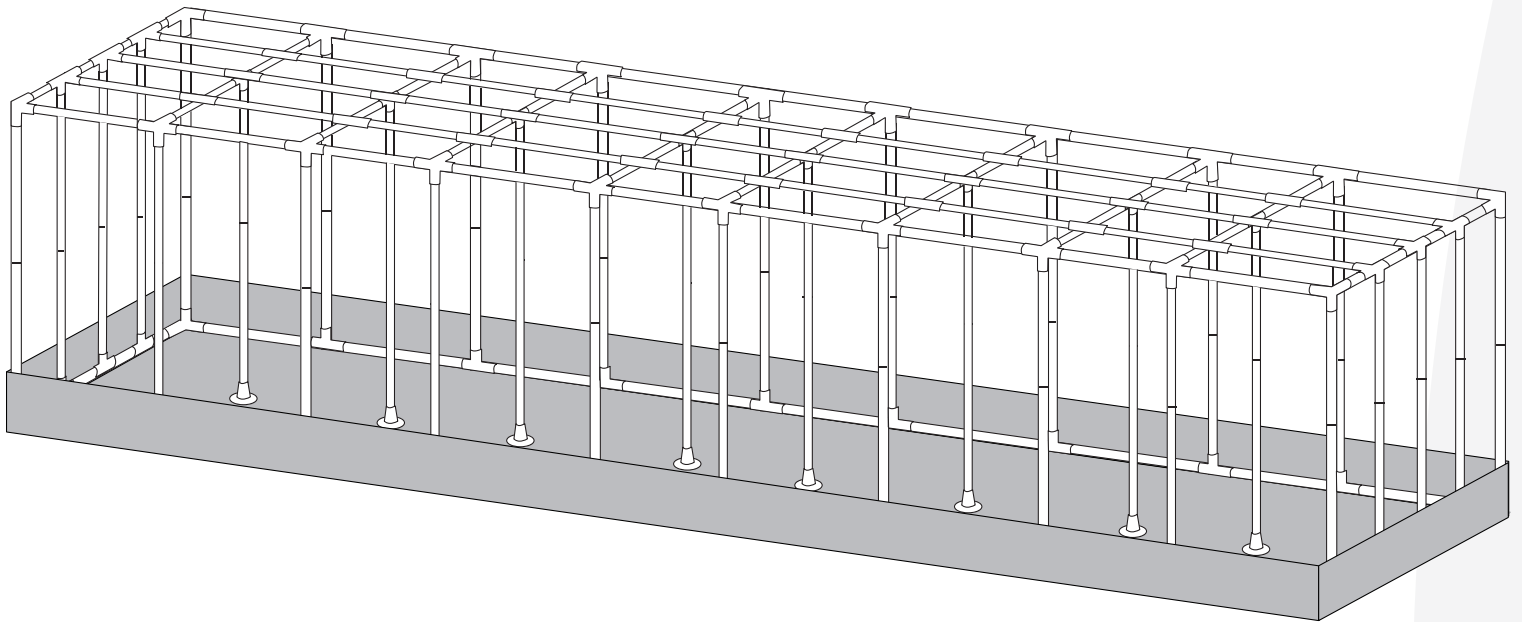
STEP 4



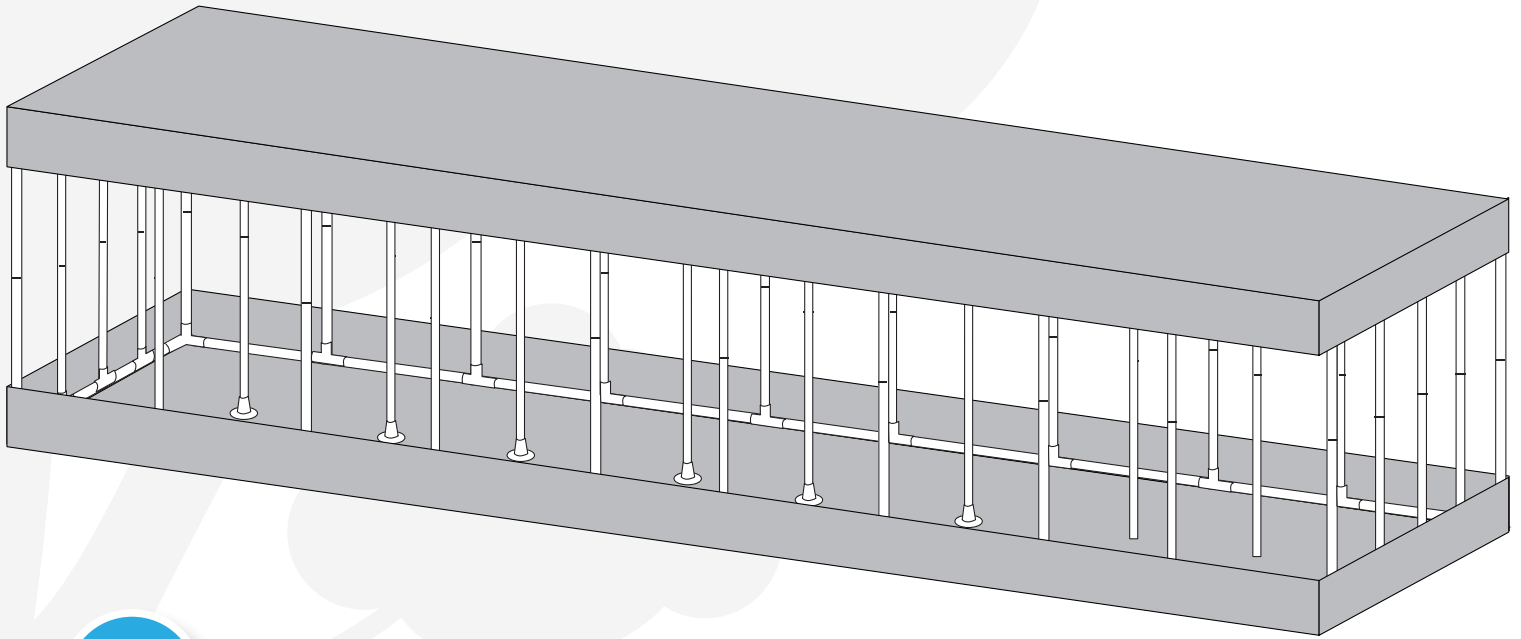
STEP 5



STEP 6

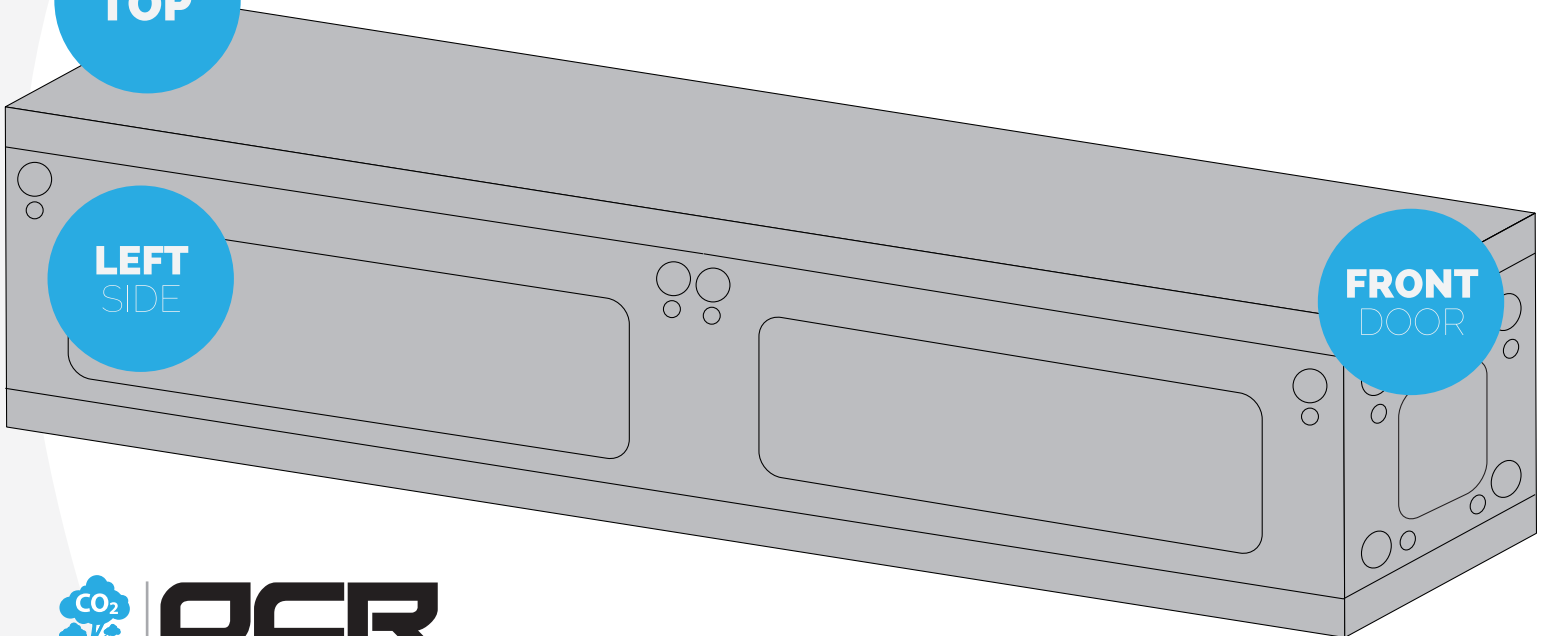


STEP  
**7**



STEP  
**8**

**TOP**



**LEFT  
SIDE**

**FRONT  
DOOR**